

Q RANGE



BRITAIN'S LEADING
TRAILER MANUFACTURER

Q RANGE TRAILER

The Q range is a compact, convenient but robust trailer designed with the agricultural customer in mind. This trailer will provide many years of service and will outlast other less durable trailers available on the market. The Q trailer is available with a stock ramp option (as well as the standard ramp) and offers excellent strength to weight ratio with a maximum gross weight of up to 1000kg on some models.

The Q trailers are easily stored and will fit through narrower gateways that may prove problematic for wider trailers. All the trailers are easily towable and moveable when unhitched.

WHY BUY?

Our trailers are built to last and should cost you less in the future compared to trailers built to a lower specification.

ACCESSORY OPTIONS

(see inside back cover for full listing)

- Hinged mesh sides
- Hinged solid sides
- Covered Roof Rack (see below)
- Internal partition

The roof rack is a new option for the Q range which will allow the customer to travel livestock within the trailer and then feed or fencing on the roof – making each journey travelled more time efficient. (Weight limit for the roof rack is 50kg.)



Q6b with hinged mesh sides, covered roof rack, internal partition and stock ramp option



Q6b with hinged mesh sides, covered roof rack, internal partition and stock ramp option



Q6b with hinged mesh sides, covered roof rack, internal partition and stock ramp option



Q6b with hinged mesh sides, covered roof rack, internal partition and stock ramp option



Roof rack – excellent for carrying fencing or feed (Maximum weight limit of 50kg)

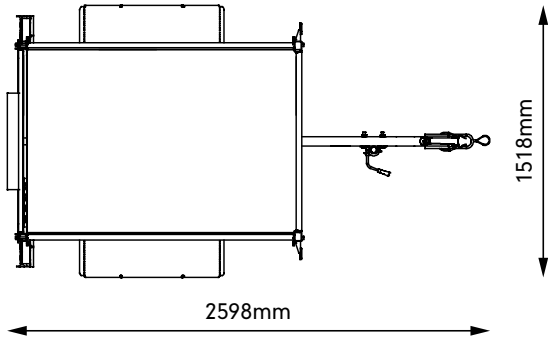
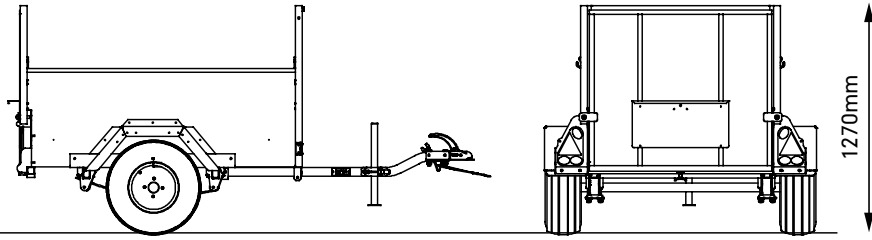


Q5e road with hinged solid sides and standard ramp

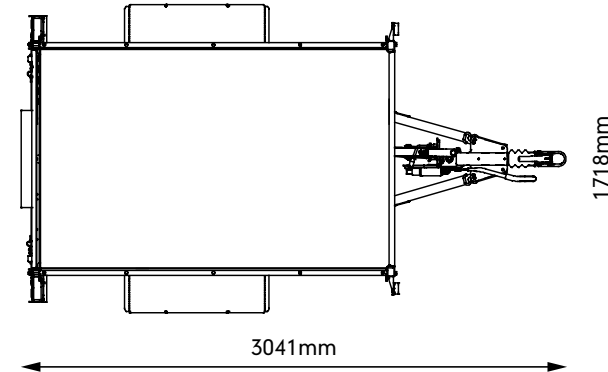
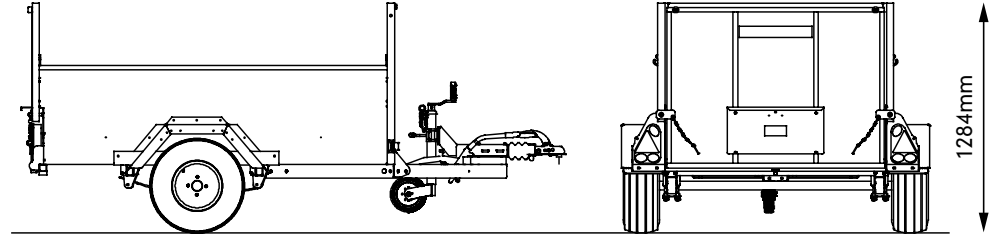


Q5e road with hinged solid sides and standard ramp

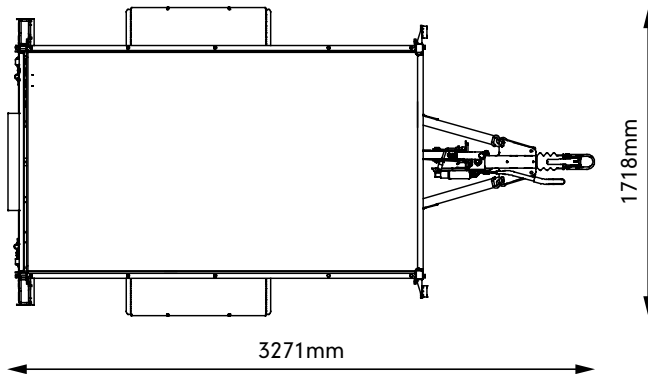
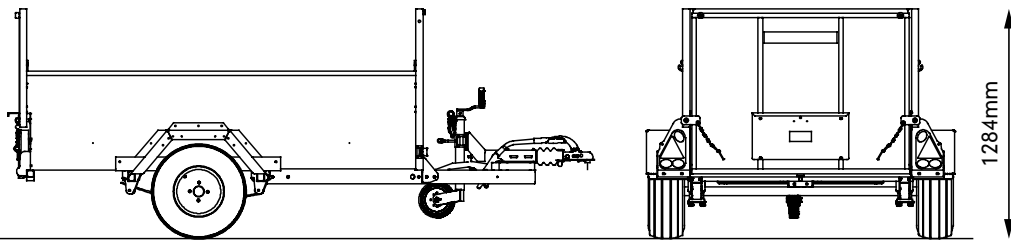
Q5e



Q6e/b



Q7e/b



	Q5e	Q6e	Q6b	Q7e	Q7b
Tyres	20.5 x 8-10	20.5 x 8-10	195/55R10	20.5 x 8-10	195/55R10
Laden bed height (mm)	350	331	350	331	350
Unaden bed height (mm)	378	358	378	358	378
Internal width (mm)	1026	1226	1226	1226	1226
Internal length (mm)	1521	2193	2193	2193	2193
External width (mm)	1518	1718	1718	1718	1718
External length (mm)	2598	3041	3271	3271	3271
External height (mm)	1270	3233	3233	3233	3233

Q Range Dimensions and Options

	Chassis	Internal Length	Internal Width	Maximum Gross Weight	Tyres	Suspension	Lights	Mudguards	Stock Ramp	Hinged Mesh Sides	Hinged Solid Sides	Internal Partition	Rear Prop Stands (Pair)	Jockey Wheel	Roof/Roof Rack
Q5e Off Road**	Unbraked	2.56m	1.52m	750kg	20.5 x 8-10	Single Leaf Spring	No	No	Option	Option	Option	Option	Option	Option	N/A
Q5e Road	Unbraked	2.56m	1.52m	750kg	20.5 x 8-10	Single Leaf Spring	Yes	Yes	Option	Option	Option	Option	Option	Option	N/A
Q6b Road	Braked	3.12m	1.72m	1000kg	195/55R10	Single Leaf Spring	Yes	Yes	Option	Option	Option	Option	Option	Std	Option
Q6e Off Road**	Unbraked	3.12m	1.72m	750kg	20.5 x 8-10	Single Leaf Spring	No	No	Option	Option	Option	Option	Option	Option	Option
Q6e Road	Unbraked	3.35m	1.72m	750kg	20.5 x 8-10	Single Leaf Spring	Yes	Yes	Option	Option	Option	Option	Option	Option	Option
Q7b Road	Braked	3.35m	1.72m	1000kg	195/55R10	Single Leaf Spring	Yes	Yes	Option	Option	Option	Option	Option	Std	Option
Q7e Off Road**	Unbraked	3.35m	1.72m	750kg	20.5 x 8-10	Single Leaf Spring	No	No	Option	Option	Option	Option	Option	Option	Option
Q7e Road	Unbraked	3.35m	1.72m	750kg	20.5 x 8-10	Single Leaf Spring	Yes	Yes	Option	Option	Option	Option	Option	Option	Option

**Off road trailers do not have lights or mudguards

Q Range Pricing

	Chassis	Delivery Charge to UK Mainland Distributor	Trailer with Ramp	Hinged Mesh Sides	Hinged Solid Sides	Livestock Cross Division	Roof/Roof Rack	Tarpaulin (Blue)	Prop Stands (Pair)	Jockey Wheel (Front Prop Stand Included)	Light Guards
Q5e Off Road	Unbraked	£75	£705*	£65	£95	£60	-	£45	£40	£25	-
Q5e Road	Unbraked	£75	£855*	£65	£95	£60	-	£45	£40	£25	£30
Q6b Road	Braked	£75	£1,375*	£80	£110	£90	£155	-	£40	Std	£30
Q6e Off Road	Unbraked	£75	£885*	£80	£110	£90	£155	-	£40	£25	-
Q6e Road	Unbraked	£75	£1,035*	£80	£110	£90	£155	-	£40	£25	£30
Q7b Road	Braked	£75	£1,435*	£90	£120	£90	£165	-	£40	Std	£30
Q7e Off Road	Unbraked	£75	£945*	£90	£120	£90	£165	-	£40	£25	-
Q7e Road	Unbraked	£75	£1,095*	£90	£120	£90	£165	-	£40	£25	£30

*These trailers are available with a Ramp Stock Door option for an additional £60. This is a factory fit only option and must be specified at the time of order.

Off-Road trailers are not fitted with Lights or Mudguards.

Optional accessories have been priced as factory fit items, ordered with the trailer.

If ordered at a later date, your distributor may need to fit the items, which could result in fitting charges being incurred.

Prices are ex-works and are subject to delivery charges and the VAT rate applicable at the date of supply.

Dimensions and weights are given as a guide only. We reserve the right to alter specifications without notice.

Future options in early 2014 to include tarpaulin and toolbox (mounted on front bulkhead)



Ifor Williams Trailers Ltd
Cynwyd, Corwen, Denbighshire LL21 0LB UK
Telephone +44 (0)1490 412527
sales@iwt.co.uk

For further information visit our comprehensive website
www.iwt.co.uk

Product design, descriptions, colours, specifications etc. correct at time of going to press. We constantly strive to improve our products, and from time to time this may result in changes to our range or to individual models. Please check that design, description, colours, specifications described in this brochure are still valid at the time of placing an order.

Our distributors have extensive product knowledge and will be pleased to offer assistance in the selection of your trailer.

© Ifor Williams Trailers Ltd 2014.

All rights reserved.

No part of this publication may be reproduced in any form or by any means, without the prior written permission of Ifor Williams Trailers Ltd.